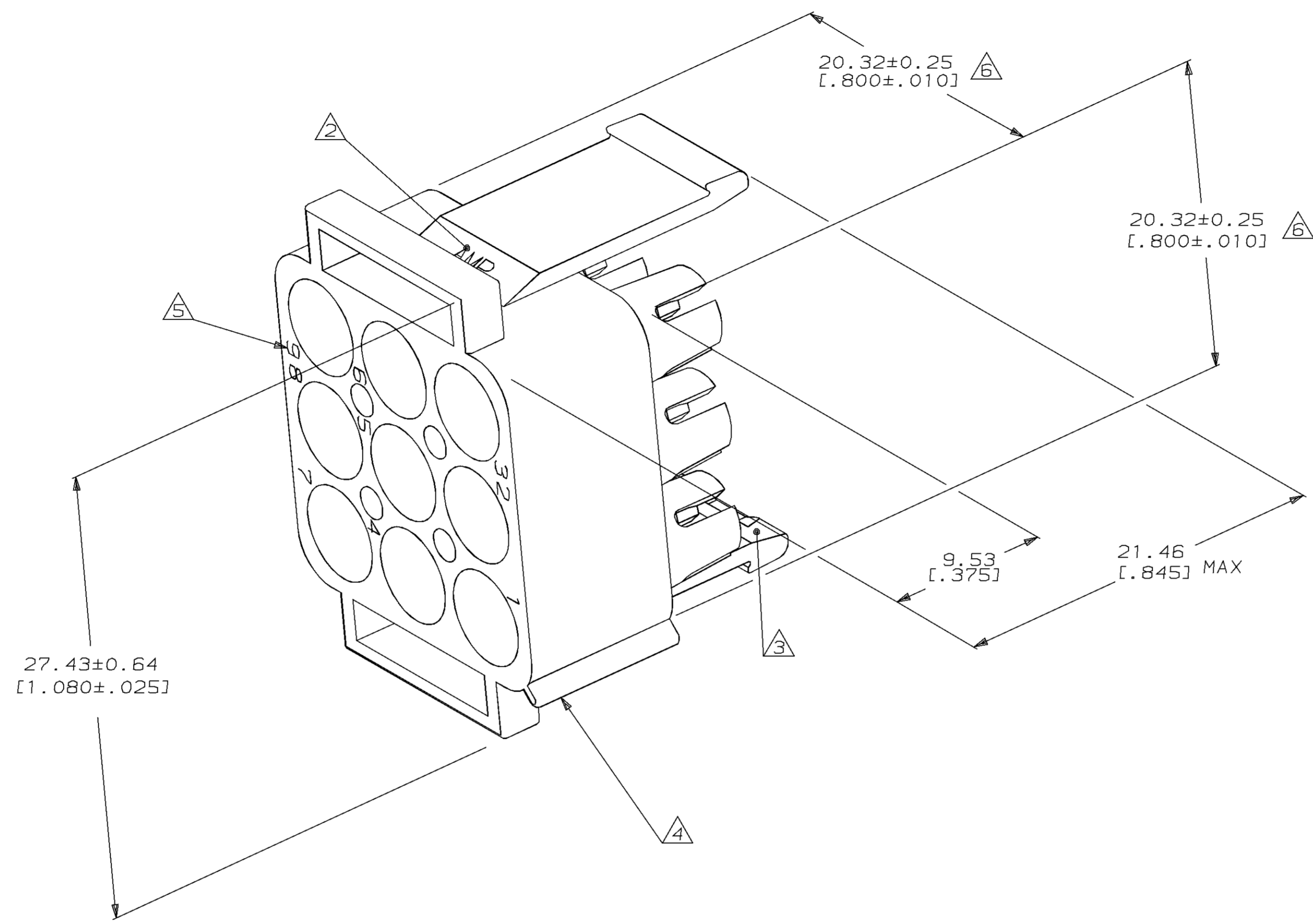


LOC		DIST		P		F		ZONE		LTR		REVISIONS			
CM	53											DESCRIPTION	DATE	APPD	
												E	REV PER EC 0730-0040-95	4-19-95	RV



1. MUST BE ASSEMBLED WITH PLUG FRONT P/N 770039-1 BEFORE MATING. KIT P/N IS 770021-1.
- ② AMP LOGO LOCATED THIS SURFACE.
- ③ UL AND CSA LOGOS LOCATED ON FAR SIDE.
- ④ CIRCUIT NO. 1 IDENTIFICATION RIB LOCATED APPROXIMATELY AS SHOWN.
- ⑤ LOCATION OF CIRCUIT NUMBERS MOVE BUT WILL REMAIN ADJACENT TO APPROPRIATE CAVITY.
- ⑥ DIMENSION INDICATED IS AS MOLDED. ADDITIONAL GROWTH DUE TO SUBSEQUENT MOISTURE ABSORPTION MAY OCCUR.
7. DIMENSIONS IN BRACKETS ARE IN INCHES.

770040-1
PART NUMBER



DO NOT SCALE PRINT. UNLESS SPECIFIED DIMENSIONS IN mm TOLERANCES ON + 2 PLC DEC ± 0.13 [.005] ANGLES ±		DR 1-15-92 K. SALMON	AMP INCORPORATED Harrisburg, Pa. 17105	
MATERIAL NYLON, UL94V-0,		CHK 1-15-92 R. SWING	NAME PLUG REAR, 9 CIRCUIT, UNIVERSAL MATE-N-LOK™ II	
FINISH		APPD 1-16-92 M. TRULL	SIZE D	FSCM NO 00779
WEIGHT		APPD 1-16-92 M. TRULL	DRAWING NO 770040	SHEET 1 OF 1
		PRODUCT SPEC	SCALE 5:1	
		APPLICATION SPEC	CUSTOMER DRAWING	